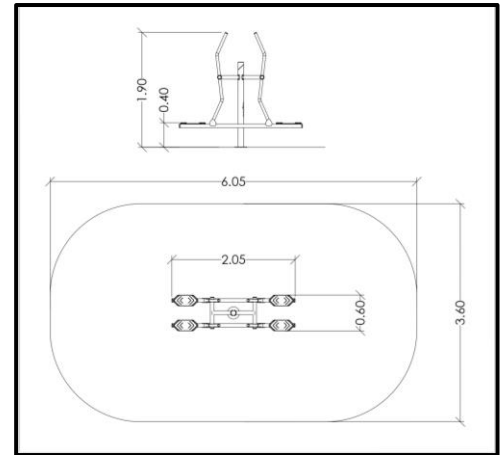


# TR009A

## Double Cross Trainer

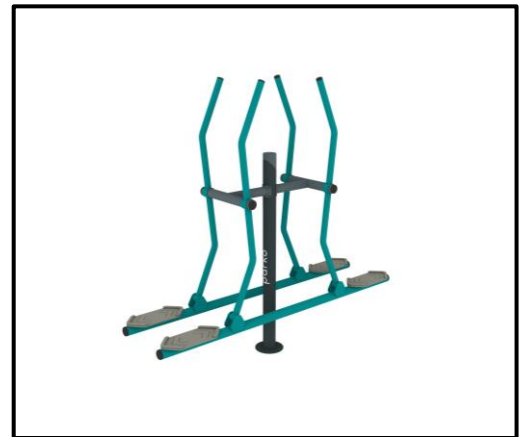
### PRODUCT INFORMATION

Movement space	605x360 cm
Area of movement	19,70 m <sup>2</sup>
Dimensions	205x60 cm
Overall Height	190 cm
Free falling height	40 cm
Foundations	1 pcs
Availability of spare parts	YES
EN 16630 compliance	YES
Age group	14+
Number of users	2



### MATERIALS

- Metal Parts (colored): Cleaning process applied as the first step of the coating process. Zinc substrate. Zinc is applied to raw steel material. Heating cured Premium polyester coating treatment applied as top finish.
- Metal Parts (non - colored): Hot Dip Galvanized (plain) or Stainless Steel (304 / 316L)
- Panels: HPL Antiskid 12mm (EXT)
- Steel Ropes apparatus: Steel core ropes braided with polypropylene (Ø16mm). Solid and aesthetic connectors made of injection molded durable plastic / end-connectors and sleeves made of durable aluminum alloy
- All other plastic elements: Fiber reinforced plastic
- Fasteners: Electroplated coated or Stainless Steel (304 / 316L)
- Chains: Hot Dip Galvanized (plain) or Stainless Steel (304 / 316L) / Ø6mm / According to DIN 766



***Please note that the above list of materials concerns the articles of the whole series. Therefore, some of them are not used in the described article.***